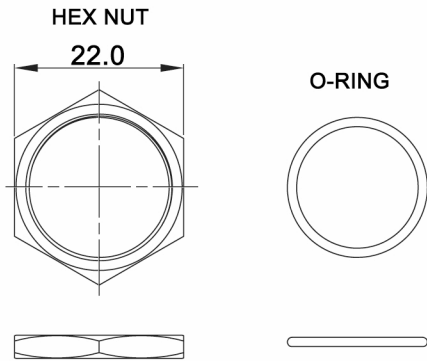


y	Wire length
(empty)	300 mm
-150	150 mm

**HARDWARE**

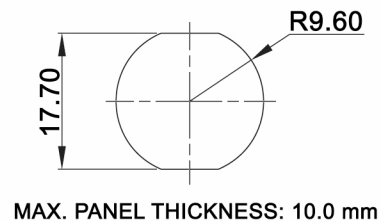


**Specifications:**

Contact rating: 1 A, 5-24 V AC/DC (pulse mode)  
 Contact resistance: 1 Ohm max.  
 Pulse duration: 200ms min.  
 Operating temperature: -20°C to +65°C  
 Mechanical life: 50 000 000 cycles min.  
 Material: Bushing: see table "x"  
 Sealing: silicone, epoxy  
 O-ring: silicone  
 Hex nut: brass, nickel plated

x	Bushing material
AN	aluminum, natural
AB	aluminum, black anodized
D0	SUS 304
D3	SUS 316

**PANEL CUT-OUT**



Compliance: RohS III (2015/863/EU)

Tolerances: 0.00: ±0.25 mm 0.0: ±0.40 mm			Date	Name
			04/18	dr
Revised	09/21	dr	<b>knitter-switch</b>	
Pulse	02/19	dr		
Modifications	Date	Name		

**PBP 19 xMy**

**30 40 64**

Page

1/1